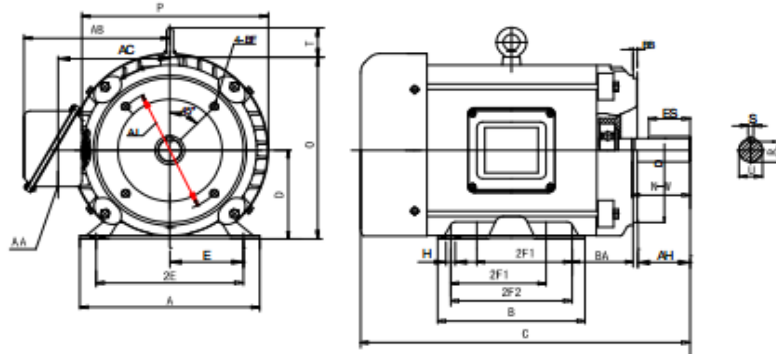


## F56C3/4M2A

### C-Face General Purpose Hostile Duty Motor

Rolled Steel Construction - Three Phase - TEFC - AC Motor



#### DIMENSIONS - INCHES

MOUNTING					A	B	C	D	G	AC	P	O	BC	AH	AB	AA			
E	2F1	2F2	H	BA															
2.44	3	NA	0.34	2.75	6.3	3.94	13.9	3.5	NA	4.9	6.9	7.0	.19	2.16	6.5	1.1			
KEY			KEYSET R		FLANGE					SHAFT EXTENSION									
WIDTH		LENGTH		AK	AJ	BF	BB	BD	N-W	U									
.188		1.41									0.517		4.5		5.875		3/8-16		0.16

#### PERFORMANCE DATA

Three Phase - 60Hz - 208-230/460V - NEMA Design B - Max. Ambient: 40° C

HP	Speed	Frame	NEMA Code	Efficiency (%)			Power Factor			Torque (ft-lb)		
				100%	75%	50%	100%	75%	50%	FLT	BDT%	LRT%
3/4	3500	56C	M	66.0	65.5	64.9	50.0	50.6	49.3	1.11	420	220
Amps (460V)		DE Bearing	ODE Bearing	Insulation Class	Enclosure Type	Service Factor	Weight (lbs)					
FLA	LRA	6203ZZ	6203ZZ					F	TEFC	1.15	26	



**ElectricalHelper**

"Practical Straight Forward Electrical Wiring Solutions Since 1928."

For Fast Friendly Assistance  
Call Us 888.226.4917  
Hours 8:00AM - 5:00PM