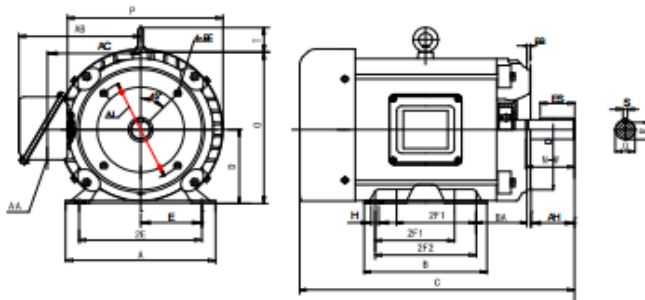


## F56C2M2A

### C-Face General Purpose Hostile Duty Motor

Rolled Steel Construction - Three Phase - TEFC - AC Motor



#### DIMENSIONS - INCHES

MOUNTING					A	B	C	D	G	AC	P	O	BC	AH	AB	AA
E	2F1	2F2	H	BA												
2.44	3	NA	0.34	2.75	6.3	3.94	13.9	3.5	NA	4.9	6.9	7.0	.19	2.16	6.5	1.1
KEY				KEYSET R	FLANGE					SHAFT EXTENSION						
WIDTH	LENGTH				AK	AJ	BF	BB	BD	N-W	U					
.188	1.41			0.517	4.5	5.875	3/8-16	0.16	6.5	1.88	0.625					

#### PERFORMANCE DATA

Three Phase - 60Hz - 208-230/460V - NEMA Design B - Max. Ambient: 40° C

HP	Speed	Frame	NEMA Code	Efficiency (%)			Power Factor			Torque (ft-lb)		
				100%	75%	50%	100%	75%	50%	FLT	BDT%	LRT%
2	3510	56C	J	76.0	75.1	73.5	83.0	79.4	70.2	3.0	240	210
Amps (460V)		DE Bearing	ODE Bearing	Insulation Class	Enclosure Type	Service Factor	Weight (lbs)					
FLA	LRA											
2.96	20.0	6203ZZ	6203ZZ	F	TEFC	1.15	34					



# ElectricalHelper

"Practical Straight Forward Electrical Wiring Solutions Since 1928."

For Fast Friendly Assistance  
Call Us 888.226.4917  
Hours 8:00AM - 5:00PM