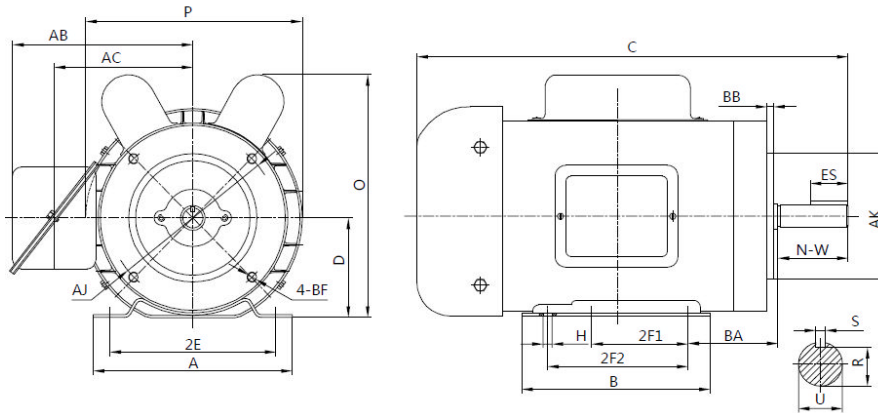


F56C1S2C

General Purpose, Single Phase, 56C/CH Frame Motor

High Torque – Dual Drilled and Removable Feet –TEFC – IP55 Protection – Rolled Steel -- AC Motor



DIMENSIONS – INCHES

MOUNTING					A	B	C	D	G	O	P	AC	BC	AH	AB	AA
E	2F1	2F2	H	BA												
2.44	3.0	NA	.34	2.75	6.3	3.94	13.9	3.5	NA	8.6	6.9	4.9	.19	2.06	6.5	.80
KEY				KEYSET R	FLANGE					SHAFT EXTENSION						
WIDTH		LENGTH			AK	AJ	BF	BB	BD	N-W	U					
.188		1.41		.517	4.5	5.875	3/8-16	.16	6.5	1.88	.625					

PERFORMANCE DATA

Single Phase – 60Hz -115 /208-230V – NEMA Design L - Max. Ambient: 40° C

HP	Speed	Frame	NEMA Code	Efficiency (%)			Power Factor			Torque (ft-lb)		
				100%	75%	50%	100%	75%	50%	FLT	BDT	LRT
1	3480	56C	M	79.0	79.2	77.8	93.0	85.6	80.1	1.5	230	280
Amps (230V)		DE Bearing	ODE Bearing	Insulation Class	Enclosure Type	Service Factor	Weight (lbs)					
FLA	LRA											
4.4	29.0	6203ZZ	6203ZZ	F	TEFC	1.15	30					



ElectricalHelper

"Practical Straight Forward Electrical Wiring Solutions Since 1928."

For Fast Friendly Assistance
Call Us 888.226.4917
Hours 8:00AM - 5:00PM