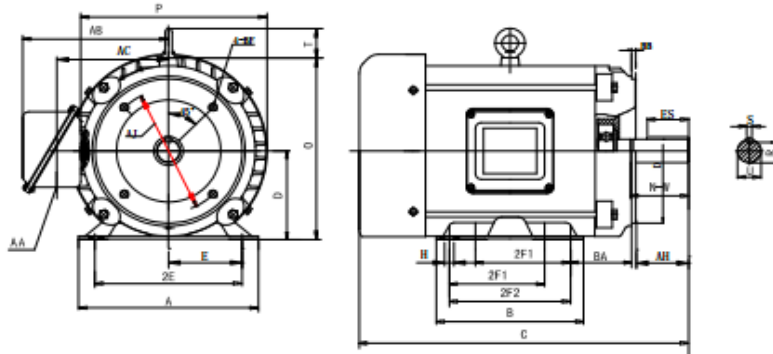


## F56C1/2M4A

### C-Face General Purpose Hostile Duty Motor

Rolled Steel Construction – Three Phase – TEFC - AC Motor



#### DIMENSIONS – INCHES

| MOUNTING |     |        |      |      | A        | B    | C      | D   | G  | AC  | P   | O               | BC  | AH    | AB     | AA   |
|----------|-----|--------|------|------|----------|------|--------|-----|----|-----|-----|-----------------|-----|-------|--------|------|
| E        | 2F1 | 2F2    | H    | BA   |          |      |        |     |    |     |     |                 |     |       |        |      |
| 2.44     | 3   | NA     | 0.34 | 2.75 | 6.3      | 3.94 | 12.6   | 3.5 | NA | 4.9 | 6.9 | 7.0             | .19 | 2.16  | 6.5    | 1.1  |
| KEY      |     |        |      |      | KEYSET R |      | FLANGE |     |    |     |     | SHAFT EXTENSION |     |       |        |      |
| WIDTH    |     | LENGTH |      |      | AK       | AJ   | BF     | BB  | BD | N-W | U   |                 |     |       |        |      |
| .188     |     | 1.41   |      |      |          |      |        |     |    |     |     | 0.517           | 4.5 | 5.875 | 3/8-16 | 0.16 |

#### PERFORMANCE DATA

Three Phase – 60Hz - 208-230/460V – NEMA Design B - Max. Ambient: 40° C

| HP          | Speed | Frame      | NEMA Code   | Efficiency (%)   |                |                | Power Factor |      |      | Torque (ft-lb) |      |      |
|-------------|-------|------------|-------------|------------------|----------------|----------------|--------------|------|------|----------------|------|------|
|             |       |            |             | 100%             | 75%            | 50%            | 100%         | 75%  | 50%  | FLT            | BDT% | LRT% |
| 1/2         | 1766  | 56C        | M           | 63.0             | 62.4           | 61.5           | 63.0         | 62.1 | 60.4 | 1.71           | 531  | 270  |
| Amps (460V) |       | DE Bearing | ODE Bearing | Insulation Class | Enclosure Type | Service Factor | Weight (lbs) |      |      |                |      |      |
| FLA         | LRA   |            |             |                  |                |                |              |      |      |                |      |      |
| 1.50        | 7.0   | 6203ZZ     | 6203ZZ      | F                | TEFC           | 1.15           | 26           |      |      |                |      |      |



# ElectricalHelper

"Practical Straight Forward Electrical Wiring Solutions Since 1928."

For Fast Friendly Assistance  
Call Us 888.226.4917  
Hours 8:00AM - 5:00PM