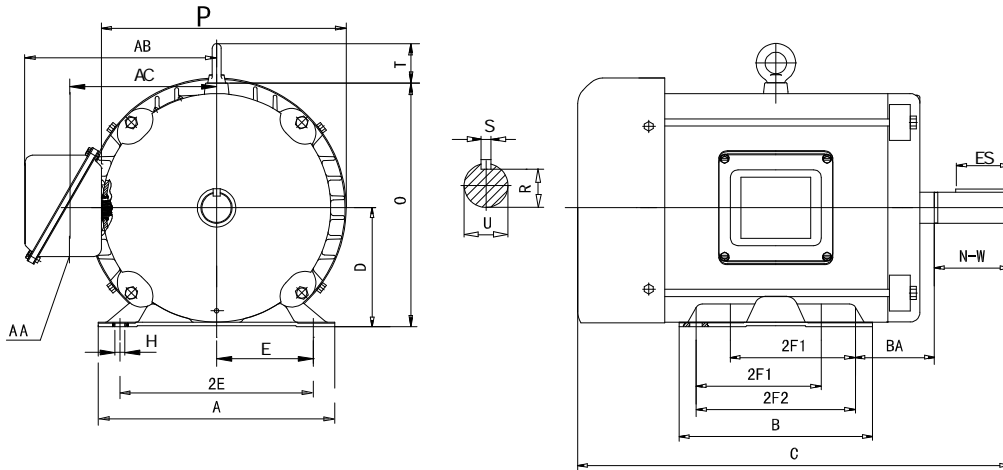


F213T7.5M2A

General Purpose, Three Phase, Rolled Steel Frame, AC Motor

Energy Efficient – TEFC – Inverter Rated (10:1 Variable -5:1 Constant Torque) -- AC Motor



DIMENSIONS – INCHES

A	B	C	D	E	2F1	2F2	G	H	AC	O
10.5	8.7	19.3	5.25	4.25	5.5	7.0	NA	.41	6.5	10.5
P	R	S	T	U	ES	AA	AB	BA	N-W	Mount
11.7	1.201	.312	1.97	1.375	2.41	1.38	8.6	3.5	3.38	F1

PERFORMANCE DATA

Three Phase – 60Hz - 208-230/460V – NEMA Design B - Max. Ambient: 40° C

HP	Speed	Frame	NEMA Code	Efficiency (%)			Power Factor			Torque (ft-lb)		
				100%	75%	50%	100%	75%	50%	FLT	BDT	LRT
7.5	3490	213T	H	88.5	89.0	88.4	82.0	81.0	77.1	11.3	200	185
Amps (460V)		DE Bearing	ODE Bearing	Insulation Class	Enclosure Type	Service Factor	Weight (lbs)					
FLA	LRA											
9.2	63.5	6307ZZ	6206ZZ	F	TEFC	1.15	121					



ElectricalHelper

"Practical Straight Forward Electrical Wiring Solutions Since 1928."

For Fast Friendly Assistance
Call Us 888.226.4917
Hours 8:00AM - 5:00PM