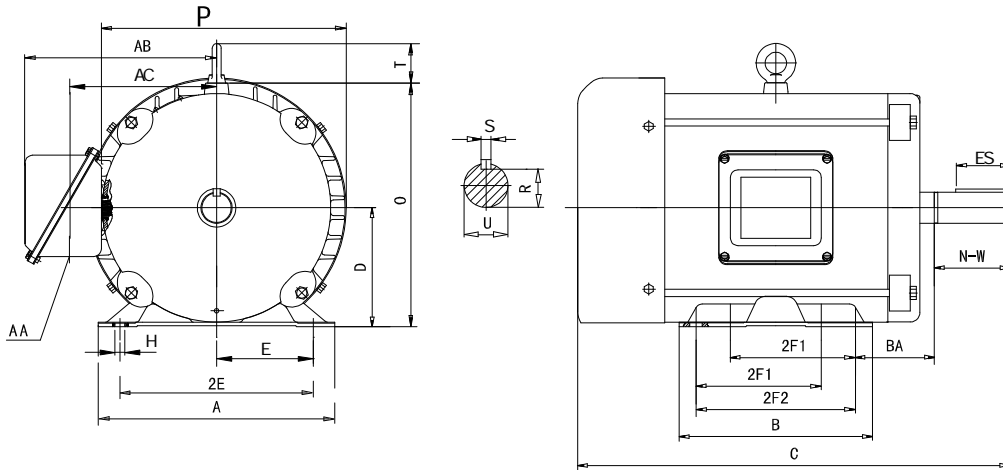


F145T2M4A

General Purpose, Three Phase, Rolled Steel Frame, AC Motor

Energy Efficient – TEFC – Inverter Rated (10:1 Variable -5:1 Constant Torque) -- AC Motor



DIMENSIONS – INCHES

A	B	C	D	E	2F1	2F2	G	H	AC	O
7.0	6.0	13.4	3.5	2.75	4.0	5.0	NA	.34	4.9	7.09
P	R	S	T	U	ES	AA	AB	BA	N-W	Mount
8.0	.771	.188	1.57	.875	1.41	1.10	6.5	2.25	2.25	F1

PERFORMANCE DATA

Three Phase – 60Hz - 208-230/460V – NEMA Design B - Max. Ambient: 40° C

HP	Speed	Frame	NEMA Code	Efficiency (%)			Power Factor			Torque (ft-lb)		
				100%	75%	50%	100%	75%	50%	FLT	BDT	LRT
2	1740	145T	L	84.0	84	83.7	70.0	66.0	54.3	6.0	240	195
Amps (460V)		DE Bearing	ODE Bearing	Insulation Class	Enclosure Type	Service Factor	Weight (lbs)					
FLA	LRA											
3.0	25.0	6205ZZ	6203ZZ	F	TEFC	1.15	55					



ElectricalHelper

"Practical Straight Forward Electrical Wiring Solutions Since 1928."

For Fast Friendly Assistance
Call Us 888.226.4917
Hours 8:00AM - 5:00PM